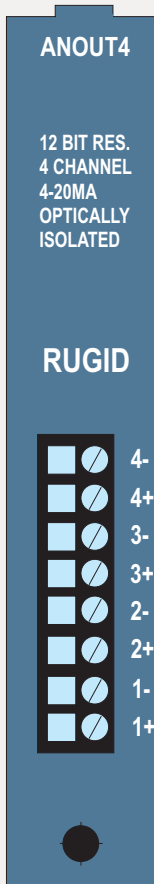
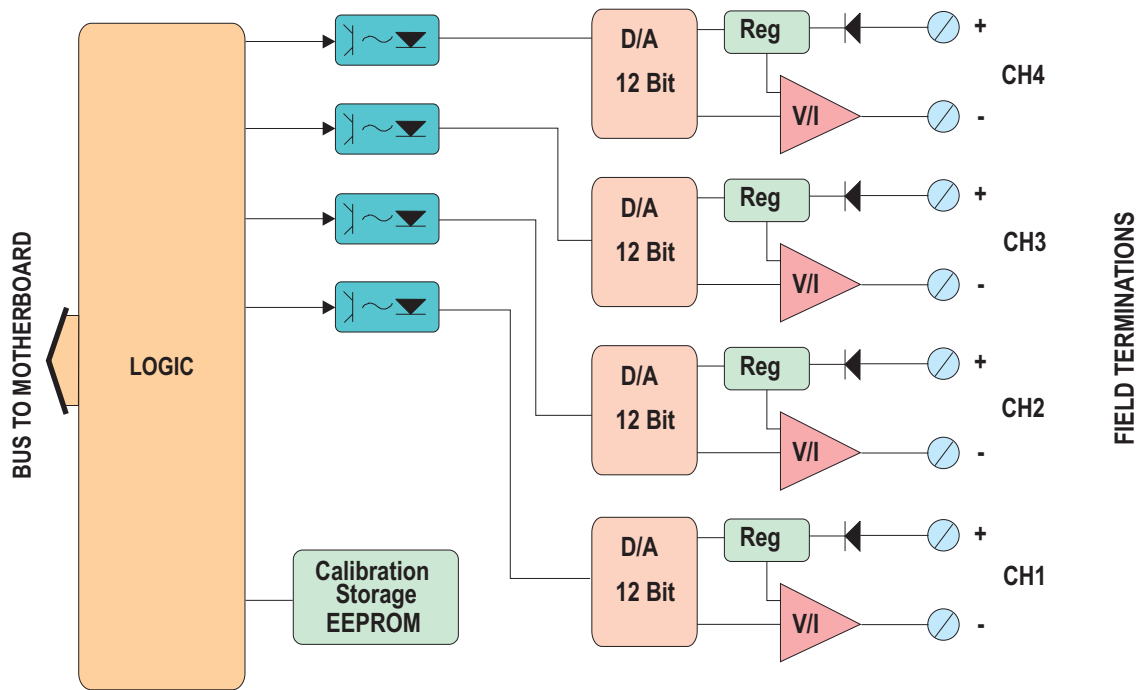


4 CHANNEL ANALOG OUTPUT CARD BLOCK DIAGRAM



Tab fits into slot in card cage to secure upper end of panel.

FEATURES:

- 2500 V opto-isolation per channel.
- 12 bit resolution, 4-20 ma standard
- On board factory calibration in EEPROM.
- Complies with 50 VDC loops.
- Reverse voltage protected.

Panel is .060 aluminum, painted Polane Blue to match card cage.

Paint is two part epoxy.
Panel shown actual size.

Screw terminals in removable rising cage type header secure field wires. Terminals accept up to 12 AWG wire.

Single screw secures lower end to card cage.
Panel retains circuit card securely.

R9 AO4	
File: R9BIkAO4.CDR	By: DAB
Date: 09/07/07	Rev:
RUGID COMPUTER, Inc. E-mail: info@rugidcomputer.com www.rugidcomputer.com	
6305 Elizan DR NW Olympia, WA 98502 (360) 866-4492 FAX (360) 866-8074	